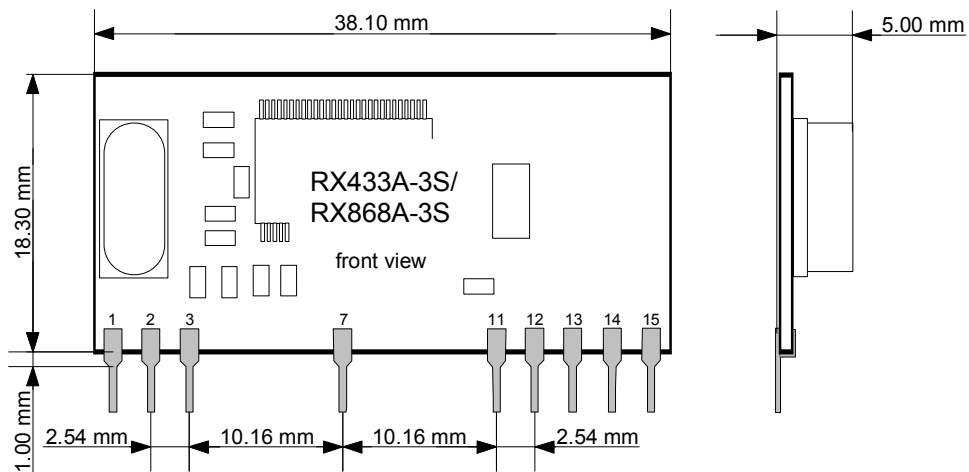


Dimensions

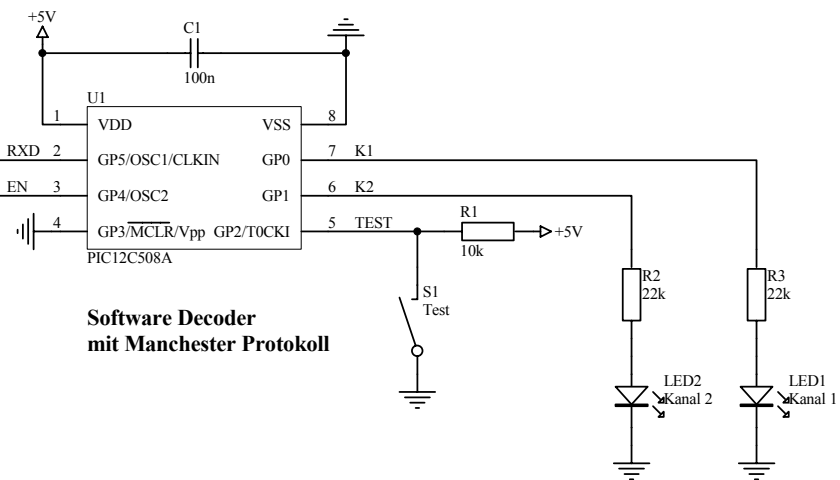
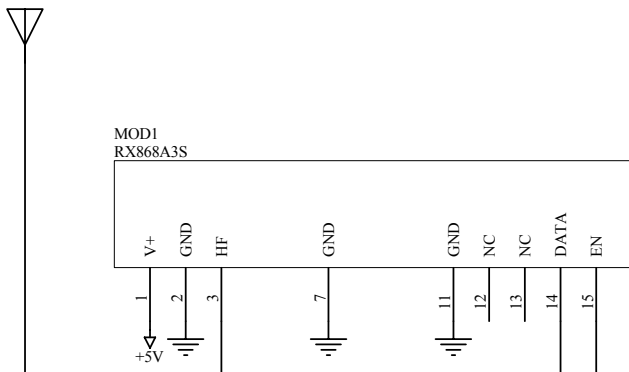


Leadframe: pins 0.5 x 0.2mm

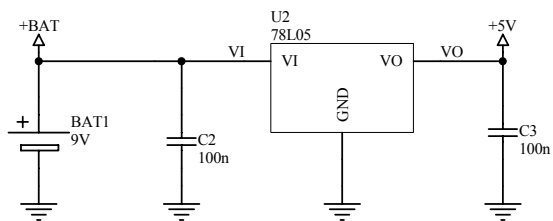
Pinout

Pin	Name	Description		
1	V+	Supply +4.5 +5.5 Volt		
2	GND	Ground		
3	HF	HF-input for lambda / 4 Antenna (50 Ohms)		
7	GND	Ground		
11	GND	Ground		
12	NC	Not connected		
13	NC	Not connected		
14	DATA	Modulation data, digital output		
15	EN	Enable - input	EN high	Module active
			EN low	Module powerdown

Antenne 50 Ohm



Software Decoder
mit Manchester Protokoll



Title: RX868A-3S Applikationsbeispiel		
File: RX868A-3S		
Date: 10-Dec-2001	REV 1	Sheet 1 of 1

