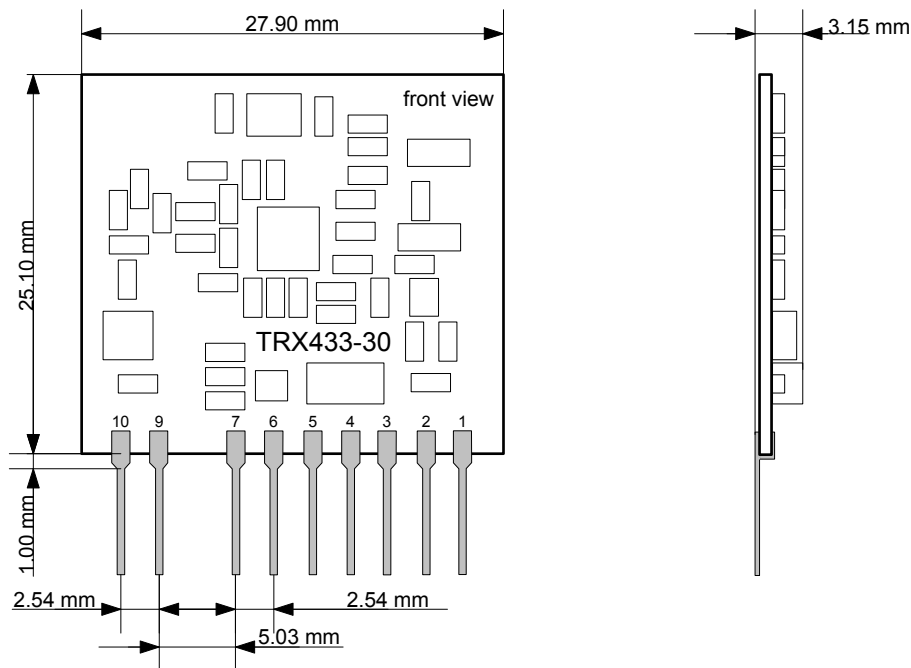


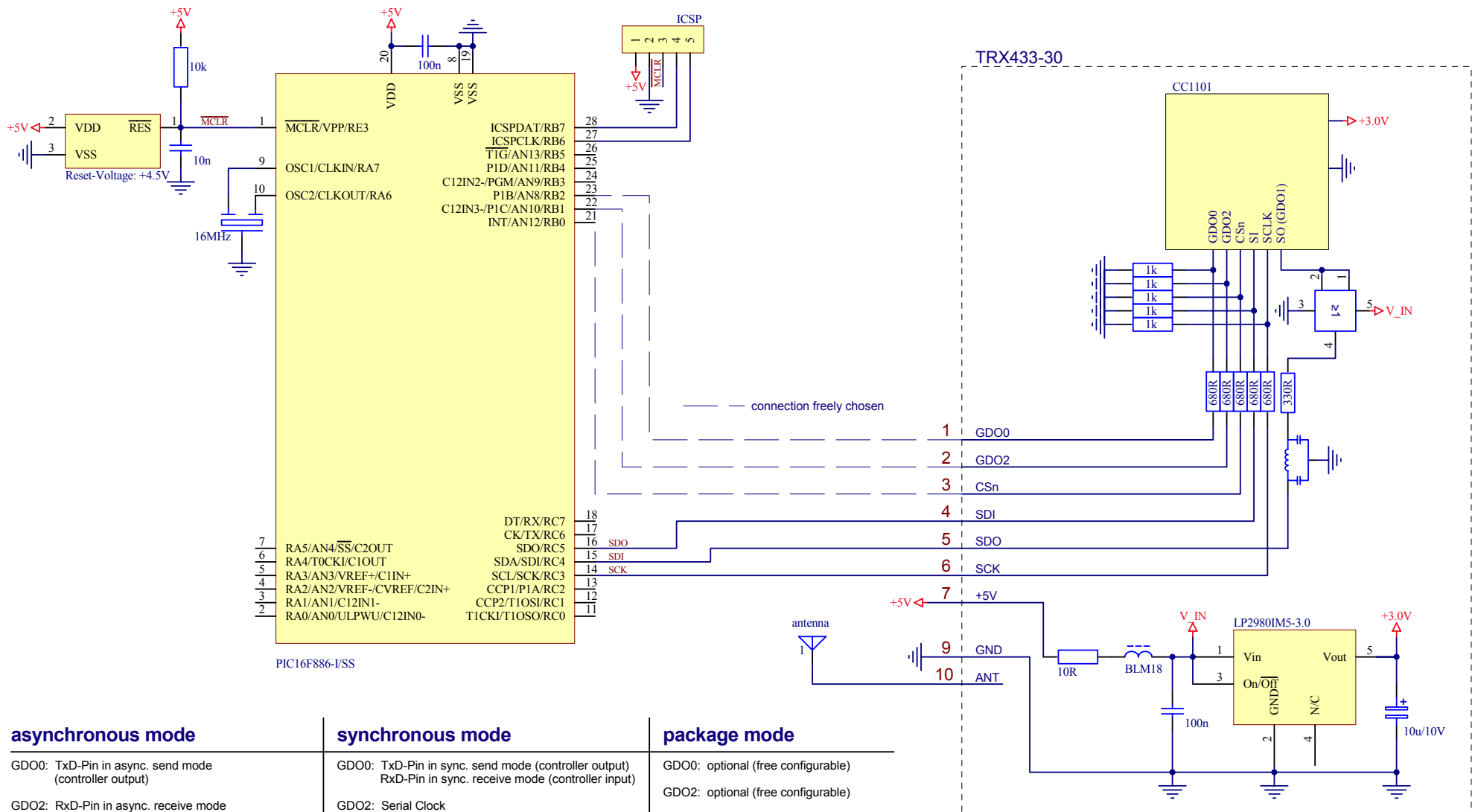
Dimensions



Leadframe: pins 0.5 x 0.2mm

Pin description

Pin	Name	I/O	Description	level: with regulator	level: without regulator
1	GDO0	I/O	General Data IN/OUT 0 Analog-Output for temperatur sensor	<u>Input:</u> low: 0V...0.7V high: 3.9V...V+ <u>Output:</u> low: 0V...0.5V high: 2.7V...3V <u>Analog-Out:</u> typ. 0.796V @ 0°C Δu : 2.45mV/°C	<u>Input:</u> low: 0V...0.7V high: (V+)-0.7V...V+ <u>Output:</u> low: 0V...0.5V high: (V+)-0.3V...V+ <u>Analog-Out:</u> typ. 0.796V @ 0°C Δu : 2.45mV/°C
2	GDO2	O	General Data OUT 2	low: 0V...0.5V high: 2.7V...3V	low: 0V...0.5V high: (V+)-0.3V...V+
3	CSn	I	Chip-Select, LOW-Level activ	low: 0V...1.1V high: 4.6V...V+	low: 0V...0.7V high: (V+)-0.7V...V+
4	SDI	I	SPI-Input	low: 0V...1.1V high: 4.6V...V+	low: 0V...0.7V high: (V+)-0.7V...V+
5	SDO	O	SPI-Output	low: 0V...0.5V high: 3.8V...V+	low: 0V...0.5V high: (V+)-0.3V...V+
6	SCK	I	SPI-Clock	low: 0V...1.1V high: 4.6V...V+	low: 0V...0.7V high: (V+)-0.7V...V+
7	V+		Positive supply voltage.	+4.6...+5.5 Volt	+1.8...+3.6 Volt
9	GND		Ground	0V	0V
10	ANT	I/O	RF- in/out for lambda / 4 antenna (~ 50 Ω)		



asynchronous mode

- GDO0: TxD-Pin in async. send mode (controller output)
- GDO2: RxD-Pin in async. receive mode (controller input)
- CSn: Chip-Select, LOW-Level activ
- SDI: Serial Data In (SPI)
- SDO: Serial Data Out (SPI)
- SCK: Serial Clock (SPI)

synchronous mode

- GDO0: TxD-Pin in sync. send mode (controller output)
RxD-Pin in sync. receive mode (controller input)
- GDO2: Serial Clock (controller input)
- CSn: Chip-Select, LOW-Level activ
- SDI: Serial Data In (SPI)
- SDO: Serial Data Out (SPI)
- SCK: Serial Clock (SPI)

package mode

- GDO0: optional (free configurable)
- GDO2: optional (free configurable)
- CSn: Chip-Select, LOW-Level activ
- SDI: Serial Data In (SPI)
- SDO: Serial Data Out (SPI)
- SCK: Serial Clock (SPI)
- radio data by SPI

Title: **App. Circuit TRX433-30**
with voltage regulator

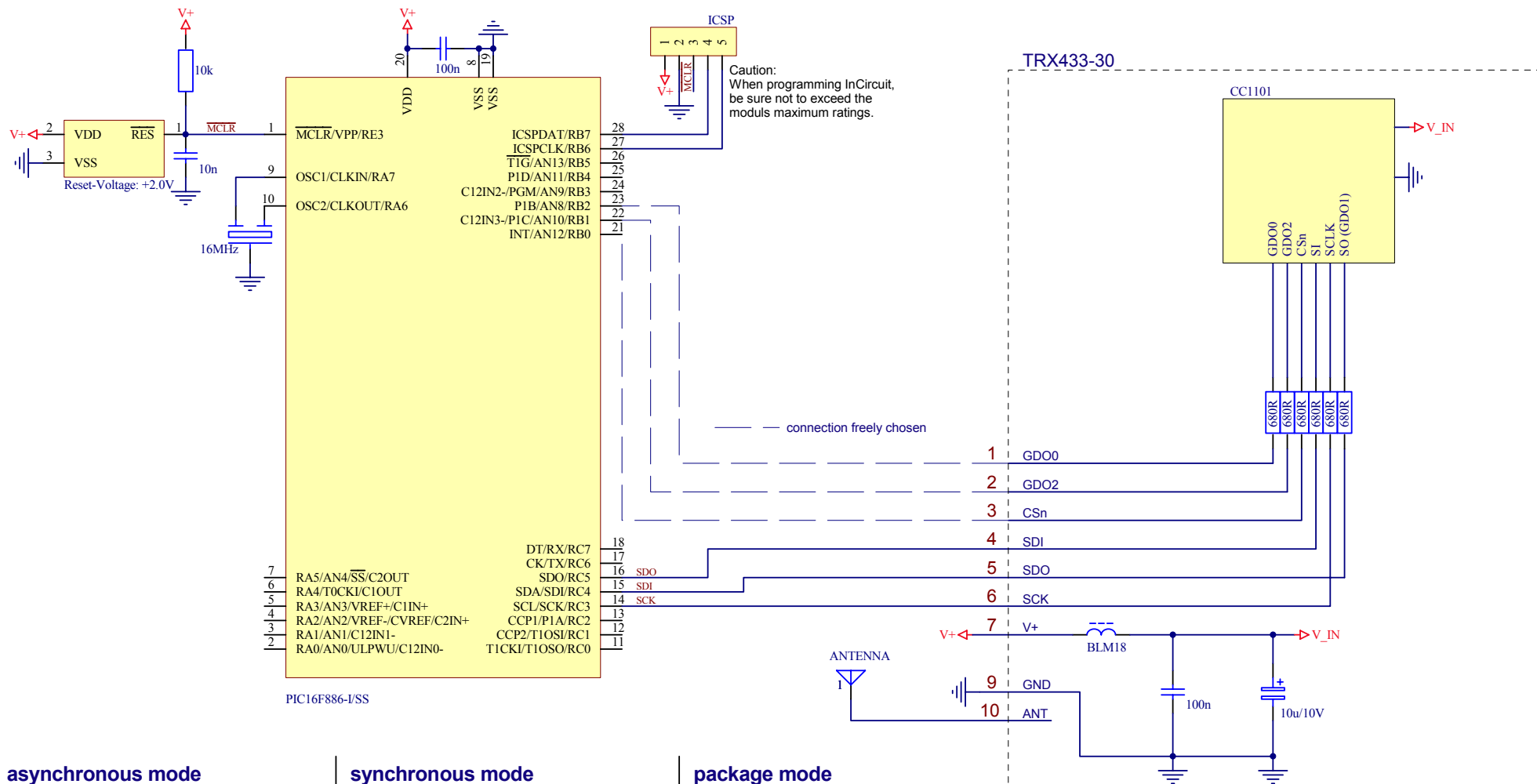
File: App.Circuit TRX433-30.SchDoc

Date: 28.11.2008

REV 1.0

Sheet 1 of 1





asynchronous mode

- GDO0: TxD-Pin in async. send mode (controller output)
- GDO2: RxD-Pin in async. receive mode (controller input)
- CSn: Chip-Select, LOW-Level activ
- SDI: Serial Data In (SPI)
- SDO: Serial Data Out (SPI)
- SCK: Serial Clock (SPI)

synchronous mode

- GDO0: TxD-Pin in sync. send mode (controller output)
RxD-Pin in sync. receive mode (controller input)
- GDO2: Serial Clock (controller input)
- CSn: Chip-Select, LOW-Level activ
- SDI: Serial Data In (SPI)
- SDO: Serial Data Out (SPI)
- SCK: Serial Clock (SPI)

package mode

- GDO0: optional (free configurable)
- GDO2: optional (free configurable)
- CSn: Chip-Select, LOW-Level activ
- SDI: Serial Data In (SPI)
- SDO: Serial Data Out (SPI)
- SCK: Serial Clock (SPI)
- radio data by SPI

Title: App. Circuit TRX433-30 without voltage regulator		
File: App.Circuit TRX433-30_2.SchDoc		
Date: 28.11.2008	REV 1.0	Sheet 1 of 1

