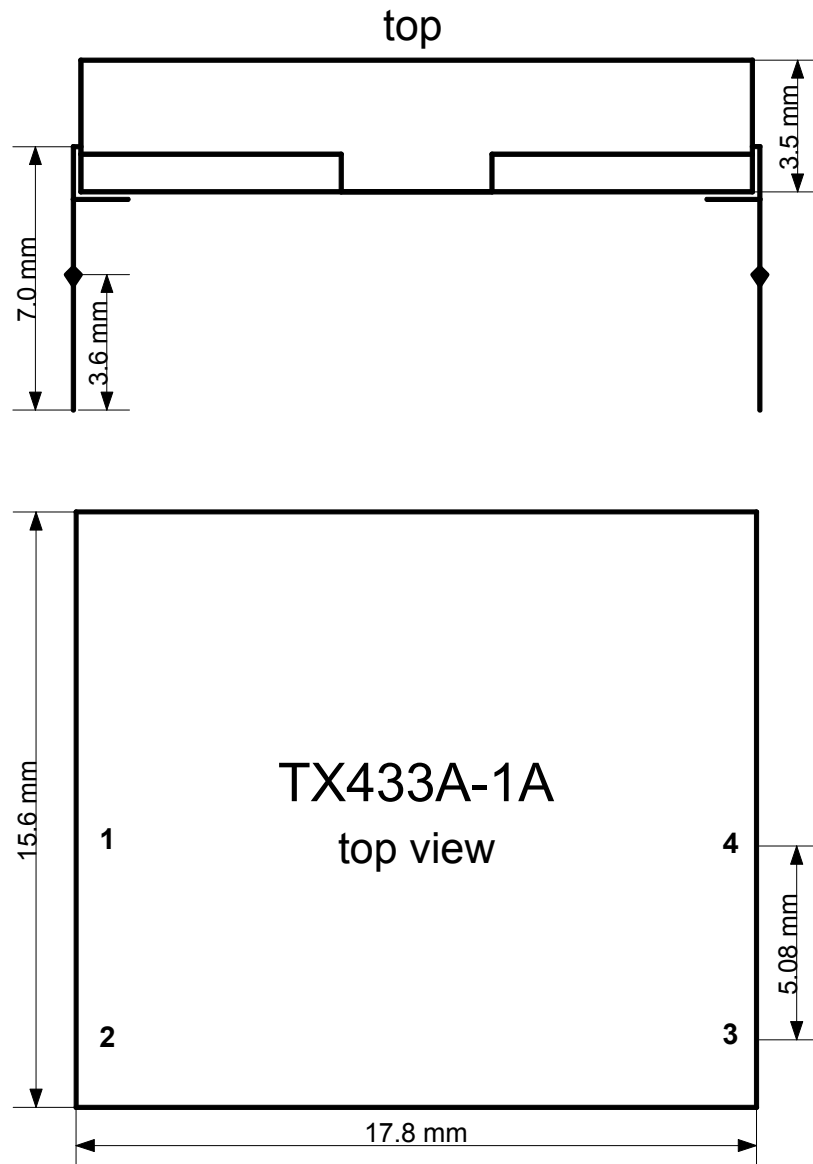
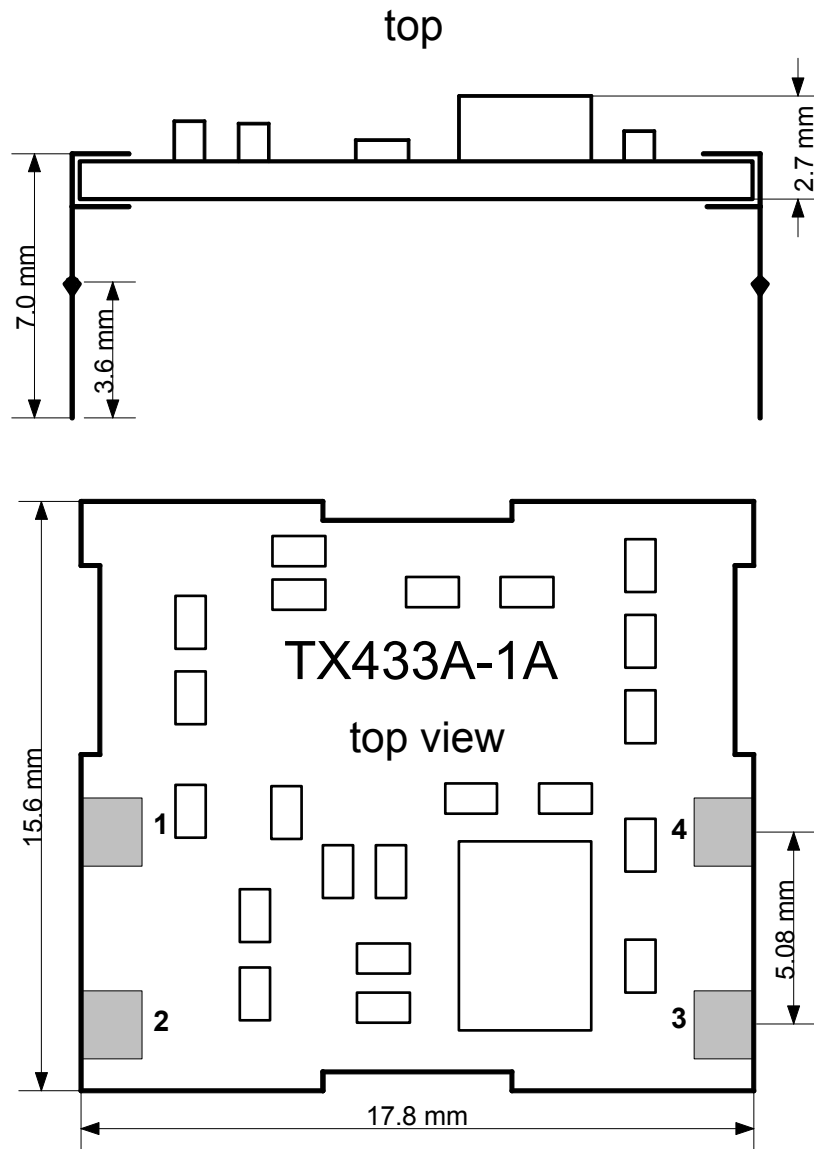


Mech. dimensions**Pin description**

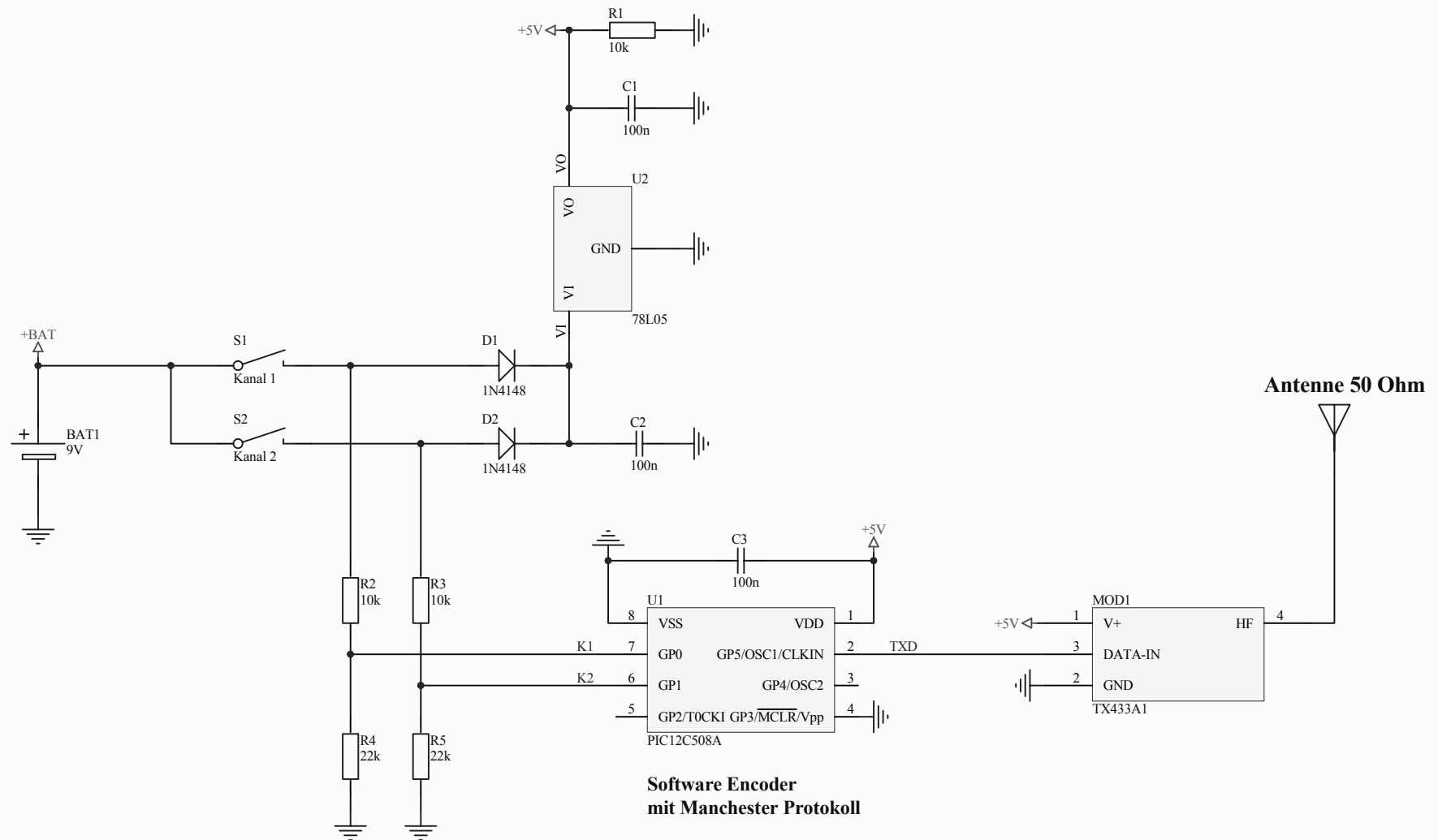
Pin	Name	Description		
1	VCC	Positive supply voltage, 2.5 – 5.5VDC		
2	GND	Ground		
3	DATA-IN	Modulation with digital signal	Vmod < 0.3V	RF off
			VCC > Vmod > (0.9 x VCC)	RF on
4	RF	RF-out for lambda / 4 antenna (~50 Ω)		

Mech. dimensions

Leadframe: pins 0.5 x 0.2mm

Pin description

Pin	Name	Description		
1	VCC	Positive supply voltage, 2.5 – 5.5VDC		
2	GND	Ground		
3	DATA-IN	Modulation with digital signal	Vmod < 0.3V	RF off
			VCC > Vmod > (0.9 x VCC)	RF on
4	RF	RF-out for lambda / 4 antenna (~50 Ω)		



Title: TX433A-1 Applikationsbeispiel		
File: TX433A-1.SCHDOC		
Date: 08.07.2009	REV 1	Sheet 1 of 1

